

CCG30-24-xxS

C266-01-01B

SPECIFICATIONS

ITEMS		MODEL		CCG30-24-03S	CCG30-24-05S	CCG30-24-12S	CCG30-24-15S
1	Nominal Output Voltage	V		3.3	5	12	15
2	Maximum Output Current	A		7	6	2.5	2
3	Nominal Output Power	W		23.1	30	30	30
4	Efficiency (Typ.)	(*1) %		86	89	89	89
5	Input Voltage Range	VDC		9 - 36			
6	Input Current	(*1) A		1.12	1.40	1.40	1.40
7	Output Voltage Accuracy	(*1) %		±2			
8	Output Voltage Range	%		±10			
9	Maximum Ripple & Noise	(*6) mV		70	70	95	95
10	Maximum Line Regulation	(*2) mV		13.2	20	48	60
11	Maximum Load Regulation	(*3) mV		13.2	20	48	60
12	Over Current Protection	-		105% min. (Hiccup, Automatic recovery method)			
13	Over Voltage Protection	-		-			
14	Remote ON/OFF control	(*5) -		Possible (SHORT : ON OPEN : OFF)			
15	Parallel Operation	-		-			
16	Series Operation	(*5) -		Possible			
17	Operating Temperature	(*4) -		-40°C - +110°C(Case) , -40°C - +85°C(Ambient)			
18	Operating Humidity	-		5 - 95%RH (No Dewdrop)			
19	Storage Temperature	-		-55°C - +125°C			
20	Storage Humidity	-		5 - 95%RH (No Dewdrop)			
21	Cooling	-		Convection cooled / Forced air cooled			
22	Temperature Coefficient	-		0.02%/°C			
23	Withstand Voltage	(*7) -		Input-Case : 1.0kVDC for 1min. (10mA) , Input-Output : 1.5kVDC for 1min. (10mA) Output-Case : 1.0kVDC for 1min. (10mA)			
24	Isolation Resistance	-		Output to Case 500VDC more than 100MΩ (25°C,70%RH)			
25	Vibration	-		At No Operating, 10-55Hz (Sweep for 3min.) Amplitude 1.52 mm Constant (Maximum 90.8m/s ²) X,Y,Z 1 hour each			
26	Shock	-		490.3m/s ²			
27	Safety	-		Approved by UL60950-1, CSA60950-1, EN60950-1			
28	Weight (Typ.)	g		20			
29	Size (W x H x D)	mm		25.4 x 9.9 x 25.4 (Refer to Outline Drawing)			

*Read instruction manual carefully, before using the power supply unit.

=NOTES=

*1. At 24VDC and maximum output current.

(Ambient Temperature = +25°C.)

*2. 9 - 36VDC, Constant load.

*3. No Load - Full Load, Constant input voltage.

*4. Rating - Refer to Instruction Manual.

*5. Refer to Instruction Manual.

*6. External components are needed for operation.

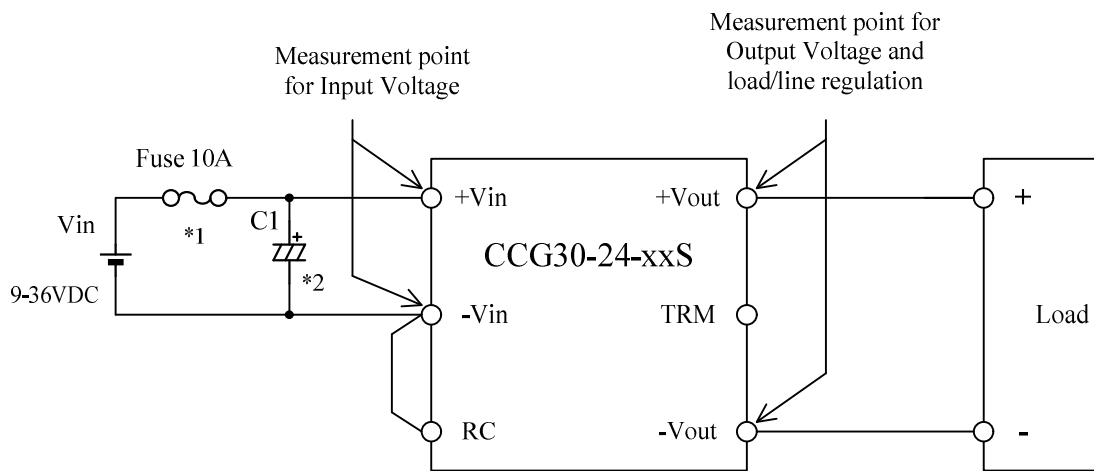
(Refer to Instruction Manual.)

*7. This specification applies to power supply module as stand-alone.

CCG30-24-xxS

C266-01-02

BASIC CONNECTION



*Read instruction manual carefully, before using the power supply unit.

==NOTES==

*1. Use an external fuse (fast blow type or normal blow type) for each unit.

*2. Put input capacitor.

C1 : Electrolytic capacitor More than 50V, 120uF

- 1) Use low impedance electrolytic capacitor with excellent temperature characteristics.
- 2) If the impedance of input line is high, C1 capacitance must be more than above.