

CCG15-48-xxS

C269-01-01A

SPECIFICATIONS

ITEMS		MODEL		CCG15-48-03S	CCG15-48-05S	CCG15-48-12S	CCG15-48-15S
1	Nominal Output Voltage	V		3.3	5	12	15
2	Maximum Output Current	A		4	3	1.3	1
3	Nominal Output Power	W		13.2	15	15.6	15
4	Efficiency (Typ.)	(*1) %		85	87	88	88
5	Input Voltage Range	VDC		18 - 76			
6	Input Current	(*1) A		0.32	0.36	0.37	0.36
7	Output Voltage Accuracy	(*1) %		±2			
8	Output Voltage Range	%		±10			
9	Maximum Ripple & Noise	(*6) mV		70	70	95	95
10	Maximum Line Regulation	(*2) mV		13.2	20	48	60
11	Maximum Load Regulation	(*3) mV		13.2	20	48	60
12	Over Current Protection	-		105% min. (Hiccup, Automatic recovery method)			
13	Over Voltage Protection	-		-			
14	Remote ON/OFF control	(*5) -		Possible (SHORT : ON OPEN : OFF)			
15	Parallel Operation	-		-			
16	Series Operation	(*5) -		Possible			
17	Operating Temperature	(*4) -		-40°C - +110°C(Case) , -40°C - +85°C(Ambient)			
18	Operating Humidity	-		5 - 95%RH (No Dewdrop)			
19	Storage Temperature	-		-55°C - +125°C			
20	Storage Humidity	-		5 - 95%RH (No Dewdrop)			
21	Cooling	-		Convection cooled / Forced air cooled			
22	Temperature Coefficient	-		0.02%/°C			
23	Withstand Voltage	(*7) -		Input-Case : 1.0kVDC for 1min. (10mA) , Input-Output : 1.5kVDC for 1min. (10mA) Output-Case : 1.0kVDC for 1min. (10mA)			
24	Isolation Resistance	-		Output to Case 500VDC more than 100MΩ (25°C,70%RH)			
25	Vibration	-		At No Operating, 10-55Hz (Sweep for 3min.) Amplitude 1.52 mm Constant (Maximum 90.8m/s ²) X,Y,Z 1 hour each			
26	Shock	-		490.3m/s ²			
27	Safety	-		Approved by UL60950-1, CSA60950-1, EN60950-1			
28	Weight (Typ.)	g		20			
29	Size (W x H x D)	mm		25.4 x 9.9 x 25.4 (Refer to Outline Drawing)			

*Read Instruction Manual carefully, before using the power supply unit.

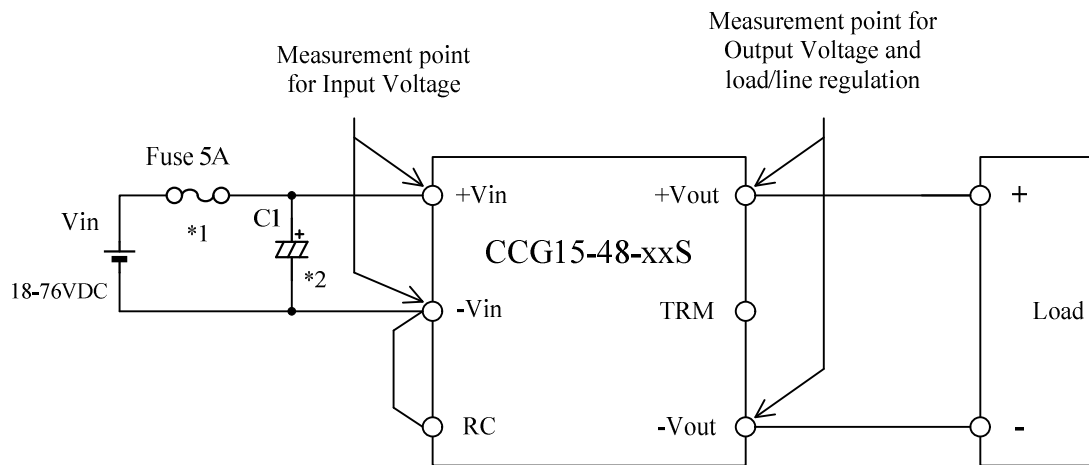
=NOTES=

- *1. At 48VDC and maximum output current.
(Ambient Temperature = +25°C.)
- *2. 18 - 76VDC, Constant load.
- *3. No Load - Full Load, Constant input voltage.
- *4. Rating - Refer to Instruction Manual.
- *5. Refer to Instruction Manual.
- *6. External components are needed for operation.
(Refer to Instruction Manual.)
- *7. This specification applies to power supply module as stand-alone.

CCG15-48-xxS

C269-01-02

BASIC CONNECTION



*Read instruction manual carefully, before using the power supply unit.

==NOTES==

*1. Use an external fuse (fast blow type or normal blow type) for each unit.

*2. Put input capacitor.

C1 : Electrolytic capacitor More than 100V, 47uF

1) Use low impedance electrolytic capacitor with excellent temperature characteristics.

2) If the impedance of input line is high, C1 capacitance must be more than above.