

Programmable Low Voltage Shutdown

Programmable Frequency

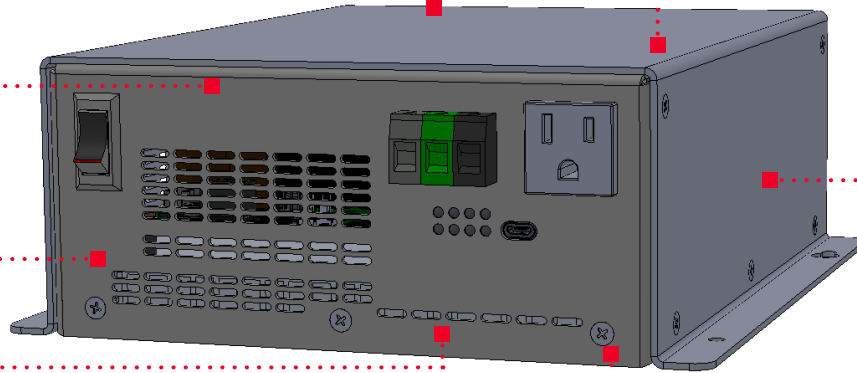
Overload Protected

Over Temperature Protected

Short Circuit Protected

Programmable Output Voltage

DSP Controlled



3 YEAR WARRANTY



IPSi360 INTELLIGENT PURE SINE INVERTER

Digital Signal Processor controlled high power MOSFET technology creates a low voltage sine wave that is fed into a compact toroidal step-up transformer to create a very clean low EMI AC output.

Using the free to download 'Inverter Wizard' software, the user can select output frequency, output voltage, and low voltage shutdown parameters from any Windows laptop through the standard micro-usb interface as well as monitoring and logging input and output voltages, output power and inverter temperature.

Safety features include current limiting, short circuit protection, overtemperature warning and shutdown and low input voltage warning and shutdown (user adjustable).

An Off-Line UPS options allows external AC to be routed through the inverter to the load. The inverter will take over supplying the load only if the external AC fails.

Available models

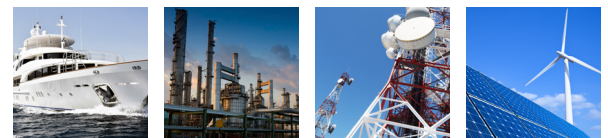
Input

- 12 VDC
- 24, 28, 32, or 36 VDC
- 48 or 72(rail) VDC

Output

- 110 VAC, 50 or 60 Hz
- 220 VAC, 50 or 60 Hz

Applications



IPSi360 | INTELLIGENT PURESINE INVERTER

INPUT

Nominal Voltage	12 (12 VDC)	20 (24, 28, 32 or 36 VDC)	40 (48 or 72 Rail VDC)
Actual Voltage	10.5 - 16 VDC	21 - 45 VDC	40 - 80 VDC
Input Fuse (Internal)	2 x ATC25	1 x ATC25	1 x ATC15

OUTPUT

Nominal Voltage	110	220 (N-NA or W-Worldwide)
Actual Voltage	110 ± 10 VAC (user adjustable)	220 ± 20 VAC (user adjustable)
Amps	3.0 A (cont) / 3.6 A (peak)	1.5 A (cont) / 1.8 A (peak)
Frequency	50.00 or 60.00 Hz ± 0.05 Hz (user selectable)	
Distortion	< 2% at 360 Watts into resistive load	
Regulation (Line & Load)	+/- 2.0%	
Duty Cycle	Continuous - 24 hours per day, Peak - 10 minutes per hour	
Efficiency	> 90% @ Maximum Output	

MECHANICAL

Dimensions	10.0 in +/- 0.1 in / 25.4 cm +/- 0.3 cm Long 9.08 in +/- 0.1 in / 23.1 cm +/- 0.3 cm Wide (including mounting flanges) 3.48 in +/- 0.1 in / 8.8 cm +/- 0.3 cm High
Clearance	1.0 in / 2.5 cm all around
Weight	12 lb / 5.4 kg
Material and Finish	Marine Grade Black Anodized Aluminum with 18-8 Stainless Fasteners
Mounting	Horizontal or Vertical Mount
Connections	DC In – Phoenix VDFK6, 60 Amp, 300V Rating AC Out – 1 x NEMA 5-15 15A 120 VAC receptacle or 1 x NEMA 6-20R 20A 250VAC receptacle (220N) or 1 x UNIVERSAL 15A 250VAC receptacle (220W) and/or 1 x Phoenix VDFK2 Hardwire Connection (120H or 220H) AC In – 1 meter cable with matching plug to AC Out receptacle (Off-Line UPS Option)

ENVIRONMENTAL AND SAFETY

Operating Temperature Range	-25°C to +40°C @ maximum output. Derates 2% per °C above maximum (Optional -40°C to +55°C wide temperature range available)
Humidity	0 - 95% Relative Humidity (non-condensing) with standard conformal coating
Audible Noise	Fan Speed Dependent (34.5 dB @ 3ft @ max fan speed)
Isolation	Input-Case, Input-Output and Output-Case 1500 VDC
Warranty	Three years parts and labor
Safety	Built to CSA 22.2.107.1 & UL458 standards

OPTIONS

AC Detect and Auto-switch (Off-line UPS)

European RoHS compliant (Lead Free Manufactured)

Military Rugged Package with MIL Connectors

Safety Special Inspection (CSA/UL)

Heavy duty ruggedization with wide temperature range

ALTERNATE OUTLET OPTIONS



North America 220V (220N Outlet)

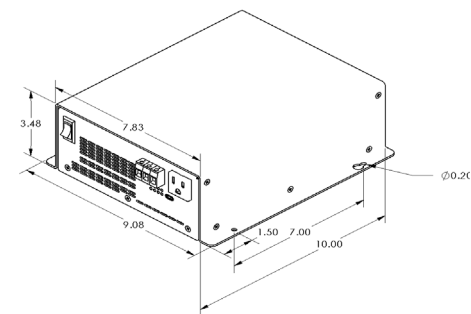


Worldwide 220V (220W Outlet)



Hard Wired can be combined with any outlet

DIMENSIONS



ANALYTIC SYSTEMS
Power Conversion Solutions



AnalyticSystems.com



sales@analyticsystems.com



604.946.9981 800.668.3884



8128 River Way
Delta BC V4G 1K5