



Programmable Low Voltage Shutdown

Overload Protected

Short Circuit Protected

DSP Controlled



Programmable Frequency

Over Temperature Protected

Hardwire AC Output Connection

Programmable Output Voltage

3 YEAR WARRANTY



IPSi1200 INTELLIGENT PURE SINE INVERTER

Digital Signal Processor controlled high power MosFet technology creates a low voltage Sine-Wave that is fed into a compact toroidal step-up transformer to create a very clean low EMI AC output.

Using the free to download 'Power Wizard' software, the user can select output frequency, output voltage, output frequency and low voltage shutdown parameters from any laptop through the standard micro-usb interface.

Safety features include current limiting, short circuit protection, inrush protection (during connection to the DC source), overtemperature de-rating and shutdown and low input voltage warning and shutdown.

An Off-Line UPS options allows external AC to be routed through the inverter for high power UPS function if the external AC fails.

Available models

Input

- 12 VDC
- 24, 28, 32, or 36 VDC
- 48 or 72 VDC

Output

- 110 VAC, 50 or 60 Hz
- 220 VAC, 50 or 60 Hz

Applications



IPSi1200 | INTELLIGENT PURESINE INVERTER

INPUT

| | | | |
|--|---------|----------------------|--------------|
| Nominal (ip) | 12 VDC | 24, 28, 32 or 36 VDC | 48 or 72 VDC |
| Actual (VDC) | 11 - 15 | 20 - 50 | 40 - 90 |
| Input Fuse (external user supplied) | 120 | 60 | 30 |

OUTPUT

| | | |
|--------------------------|---|--------------------------------|
| Output Nominal (op) | 110 | 220 |
| Output Volts (AC) | 110 ± 10 VAC (user adjustable) | 220 ± 20 VAC (user adjustable) |
| Output Amps | 10 A (cont) / 12 A (peak) | 5 A (cont) / 6 A (peak) |
| Output Frequency | 50.00 or 60.00 Hz ± 0.01 Hz (user selectable) | |
| Output Distortion | < 2% at 1200 Watts into resistive load | |
| Regulation (Line & Load) | < +/- 2.0% | |
| Duty Cycle | Continuous 100% for 24 hours per day | |
| Efficiency | > 90% @ Maximum Output | |

MECHANICAL

| | |
|---------------------|--|
| Dimensions | 13.4 in +/- 0.1 in / 33.9 cm +/- 0.3 cm Long 9.4 in +/- 0.1 in / 23.8 cm +/- 0.3 cm Wide (including mounting flanges) 7.7 in +/- 0.1 in / 19.6 cm +/- 0.3 cm High |
| Clearance | 1.0 in / 2.5 cm all around |
| Weight | 30 lb / 13.6 kg |
| Material and Finish | Marine Grade Black Anodized Aluminum with 18-8 Stainless Fasteners |
| Mounting | Shelf Mount |
| Connections | DC In – Marathon ST722B2502UH, 175 Amp, 300V Rating c/w Protective Snap On Cover AC Out – 1 x NEMA 5-15 receptacle or 1 x 16A 250V CEE 7/7 receptacle with circuit breaker protection, plus one 30A hardwire connection AC In – one 30A hardwire connection (with Off-Line UPS Option) |

ENVIRONMENTAL AND SAFETY

| | |
|-----------------------------|--|
| Operating Temperature Range | -25°C to +40°C @ maximum output. Derate Linearly 2.5% per °C from 40°C (Optional -40°C wide temperature range available) |
| Humidity | 0 - 95% Relative Humidity (non-condensing) with standard conformal coating |
| Audible Noise | Fan Speed Dependent (34.5 dB @ 3ft @ max fan speed) |
| Isolation | Input-Case, Input-Output and Output-Case 1500 VDC |
| Warranty | Three years parts and labor |
| Safety | Built to CSA 22.2.107.1 & UL458 standards |

OPTIONS

AC Detect and Auto-switch
(Off-line UPS)

COTS - MIL-STD-461F and
MIL-STD-810G In-house test & report

MIL-STD-461F
Stand alone test & report

MIL-STD-810G
Stand alone test & report

European ROHS compliant
(Lead Free Manufactured)

Military Rugged Package
with MIL Connectors

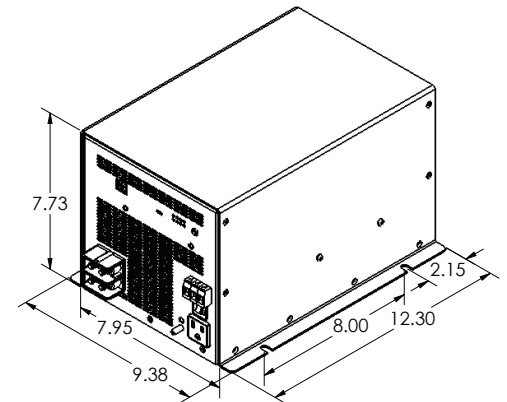
Safety Special Inspection (CSA/UL)

Integrated Digital Volt/Ammeter

IP66 or IP67 Water Resistant Chassis

Heavy duty ruggedization with wide
temperature range

DIMENSIONS



ANALYTIC SYSTEMS
Power Conversion Solutions



AnalyticSystems.com



sales@analyticsystems.com



604.946.9981 800.668.3884



8128 River Way
Delta BC V4G 1K5